



Model 220 I A/2202A



Doc: CH-2201A/02

June 2007

Air operated 2 pce stainless steel ball valve

Full bore 2 way 2 piece stainless steel ball valve, ends BSP, designed for automation with integrally cast ISO5211 actuator mounting platform allowing direct mounting of actuators, fitted with CH-air 'A' type pneumatic actuator. Supplied assembled and dry bench function tested. A minimum of 80 psi (5.5 bar) air supply pressure to the actuator is required.

2101A With double acting actuator

2102A With spring return actuator

Size range 1/4" to 3"

Applications:

Water, low pressure steam, oil, air and most solvents and alkalis, subject to compatibility with wetted parts in contact with media. Actuators sized on a maximum differential pressure of 10 bar wet service, if the intended duty is above this differential, or dry (air or gas) call to check actuator sizing as a larger output actuator may be required.

Maximum working temperature of valve & actuator assembly is +70C. If the intended duty is at a higher temperature than this, select Model 2111A/ 2112A which has a mounting kit fitted between the valve and actuator which uses air cooling to dissipate the heat away from the actuator (maximum +130C).

Valve Specifications:

Body	CF8M Cast 316SS
Ball	CF8M Cast 316SS
Seats	RTFE
Pressure rating	UTI 2" 64 bar, rest 50 bar
Valve temp limits	-20 to +200°C
Actuator temp limits	-20 to + 70°C

Accessories:

Solenoid control:

This provides electrical control of the valve. The air is constantly supplied to the solenoid which in turn controls the air to and from the actuator. The solenoid direct mounts to the actuator using the actuator's Namur connection.

Position Confirmation:

Remote end of travel confirmation can be provided by adding a top mounted limit switch box. A variety of switch options and housings are available
See our LSB range for details.

Position control:

The standard on/ off function can be converted to modulating function, using either a 3-15psi or 4-20mA control signal, by adding a pneumatic or electro-pneumatic positioner.
See our YT range for details.



Quick guide to the CH-air A Type actuator standard features :

Robust rack and pinion construction

High accuracy machining of components

ATEX Ex II 2 GD approved for use in hazardous areas

CE Approved

Guaranteed for 1,000,000 cycles

Balanced air & spring strokes in spring return version

Safe to dismantle for routine maintenance

Compliant with all actuator standards

Accessories are easy to mount

Hard anodised aluminium body

*ENP coated option
(Extra cost)*

*Teflon® coated option
(Extra cost)*

*Stainless steel version
(Extra cost)*



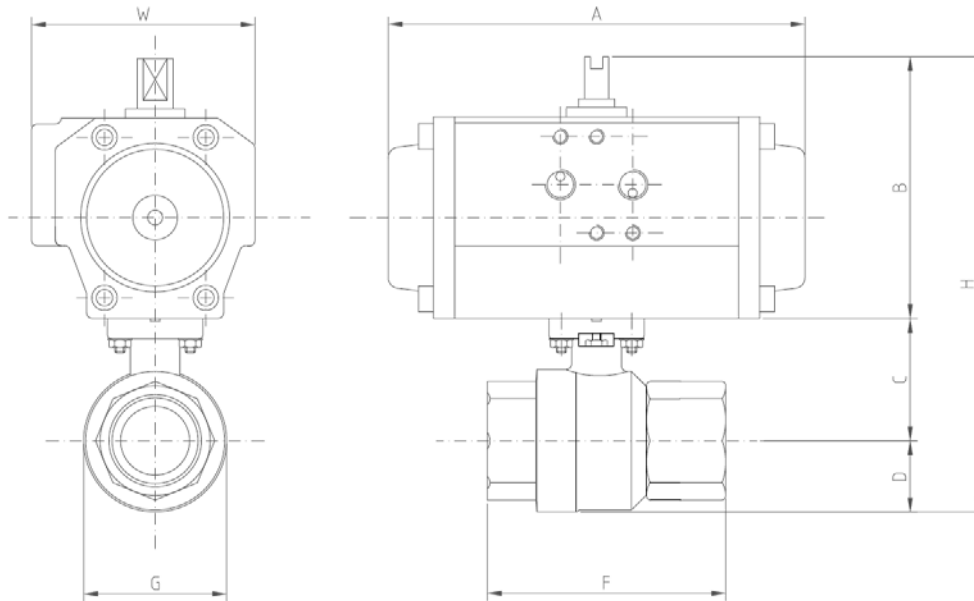
Model 220 I A/2202A



Doc: CH-220IA/02

June 2007

Air operated 2 pce stainless steel ball valve - Dimensions



Double Acting								
	A	B	C	D	F	G	H	W
1/2"								
3/4"								
1"								
1 1/4"								
1 1/2"								
2"								
2 1/2"								
3"								
Spring Return								
1/2"								
3/4"								
1"								
1 1/4"								
1 1/2"								
2"								
2 1/2"								
3"								



Valve Data Sheet



Doc SBV-M22/03

Nov 2007

Full bore direct mount 2 piece stainless steel ball valve



Specifications:

Construction	2Pce full bore direct mount ball valve
Size Range (Full)	1/4" to 3" BSP
Pressure Rating	1000 psi max
Valve Body Material	ASTM A351CF8M
Trim Material	ASTM A351CF8M
Seat Material	PTFE
Seal Material (Options)	PTFE
Inspection & Test	API 598 BS6755 Pt 1
Standards	ANSI B16.34, ANSI 16.25, ANSI B1.20, API 6D ISO5211 DIN 259, DIN 2999, DIN3337. MSS SP25
Certification	EN 10204 3.1b on request
Temperature Range	-20 to +200C

Approvals:

Approved ?



PED/97/23/EC



ATEX 94/9/EC
II 2 GD



API 607 4th Ed'n /
BS6755 Pt 2



TA-Luft



DIMENSIONS (mm)

SIZE	∅C	E	F	∅G	H	H1	H2	∅I	∅K	L	W	kg/w	ISO5211
1/2"	15.0	132	9	1/2" NPT or BSP	38.6	7.1	72.6	42	36	65.0	16	0.46	F03/F04
3/4"	20.0	132	9	3/4" NPT or BSP	46.2	8.0	81.4	42	36	74.5	17	0.60	F03/F04
1"	25.0	167	11	1" NPT or BSP	56.6	11.4	95.1	50	42	88.0	21	1.09	F04/F05
1 1/4"	32.0	167	11	1 1/4" NPT or BSP	61.0	11.4	99.5	50	42	102.0	22	1.5	F04/F05
1 1/2"	38.0	187	14	1 1/2" NPT or BSP	76.3	15.2	110.8	70	50	110.0	22.5	2.55	F05/F07
2"	49.0	187	14	2" NPT or BSP	84.1	15.1	118.6	70	50	125.0	24	3.60	F05/F07
2 1/2"	65.0	262	17	2 1/2" NPT or BSP	108.7	16.8	166.2	102	70	160.6	31	7.43	F07/F10
3"	80.0	262	17	3" NPT or BSP	117.4	18.1	174.9	102	70	178.0	34	10.35	F07/F10

