



Model **J3-2600**



Doc: J3/2600/01

Nov 2007

Electrically operated hygienic 2 way 3 1/2 L SS ball valve

2 way 3 piece 316L stainless steel ball valve with polished wetted parts and cavity filled PTFE seats, designed for automation with integrally cast ISO5211 actuator mounting platform fitted with direct mounted **J3** electric actuator. Supplied assembled and dry bench function tested. Full size range from 1/2" to 4". Ends imperial butt weld OD, or clamp type.

Type	Function
J3-2603	Standard power to open - power to close - Stays put on mains failure
J3-2604	Failsafe BSR - Battery Spring Return - Fails to safe position using an internal battery
J3-2605	Modulating DPS - Digital Positioning System

Applications:

Water, oil and many corrosive medias, subject to compatibility with wetted parts in contact with media. Actuators sized on a maximum differential pressure of 10 bar wet service, if the intended duty is above this differential, or dry (air or gas) call to check actuator sizing as a larger output actuator may be required.

Maximum working temperature of assembly is +70C. If the intended duty is a higher temperature than this, select model **J3-2610** which has a mounting kit between the valve and actuator which uses air cooling to dissipate the heat away from the actuator (maximum +130C).

Valve Specifications:

Body	CF3M Cast 316L SS
Ball	CF3M Cast 316L SS
Seats	Cavity filled virgin PTFE
Pressure rating	UTI 2" 1000psi CWP
Valve temp limits	-20 to +200°C
Actuator temp limits	-20 to + 70°C

Status light basic functions:

Constantly lit LED	The LED flashes with 2 blinks
If the actuator is operating correctly with no faults, the LED shows a constantly lit light.	If the actuator has been left in 'manual' mode, the actuator's motor runs but doesn't drive the output shaft. After a pre-set time, the actuator knows that as the torque limiter has not activated and that the motor is running, it must be in manual.



Quick guide to the **J3** electric actuator standard features :

Highly visible LED light gives continuous actuator status indication.

J3 L - 12-24V AC/DC

J3 H - 80-240V AC/DC

Multi-voltage capable with auto-voltage sensing:

Torque output: range:
25~95Nm Break
20~80Nm Reset

Electronic torque limiter
Protects against valve jams

Anti-condensation heater

Manual override

All connections via external DIN plugs ~ no need to remove cover to connect

Volt free end of travel confirmation switches

IP65 weatherproof housing

CE marked

Traceable sequential serial numbering system

Optional failsafe kit (Battery Back-up) - actuator fails to safe position on power failure

Optional modulating kit with digital positioning system, either 0-10V or 4-20mA





Model J3

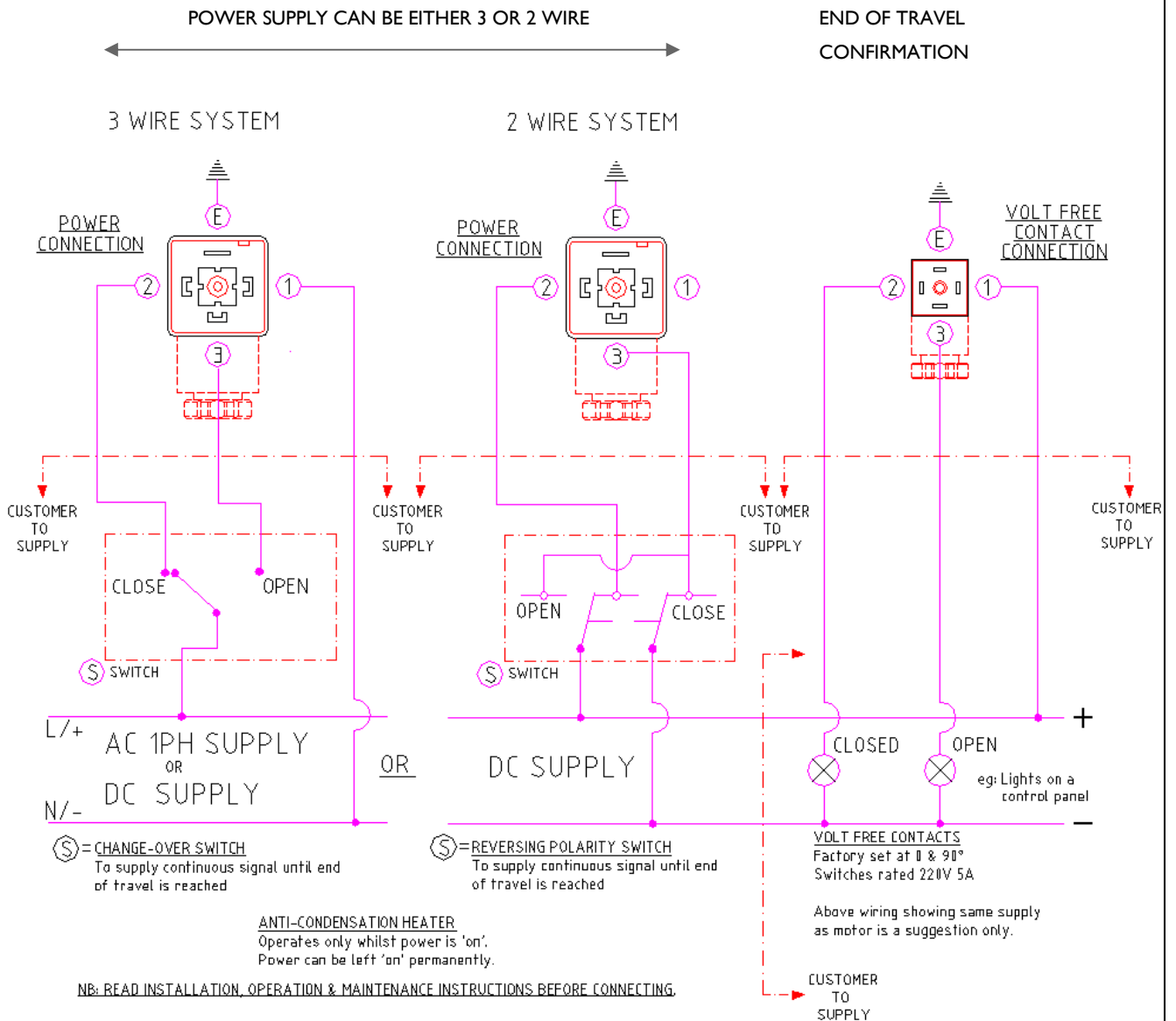
Wiring Diagram - AC or DC



Doc: J3/STD.WD/01

Jan 2008

AC (1ph) OR DC SUPPLY - WIRING FOR ON-OFF OR FAILSAFE ACTUATORS



FUNCTION: ON-OFF VERSION

Power open, power close
Stays put on mains power failure

FUNCTION: FAILSAFE VERSION

Power open, power close - trickle charges battery system in either open or closed position
Actuator sent by battery power to pre-set failsafe position on power failure
Actuator returns to pre-failure position on power resumption.
Failsafe can be either NC (normally closed) or NO (normally open)



Model J3

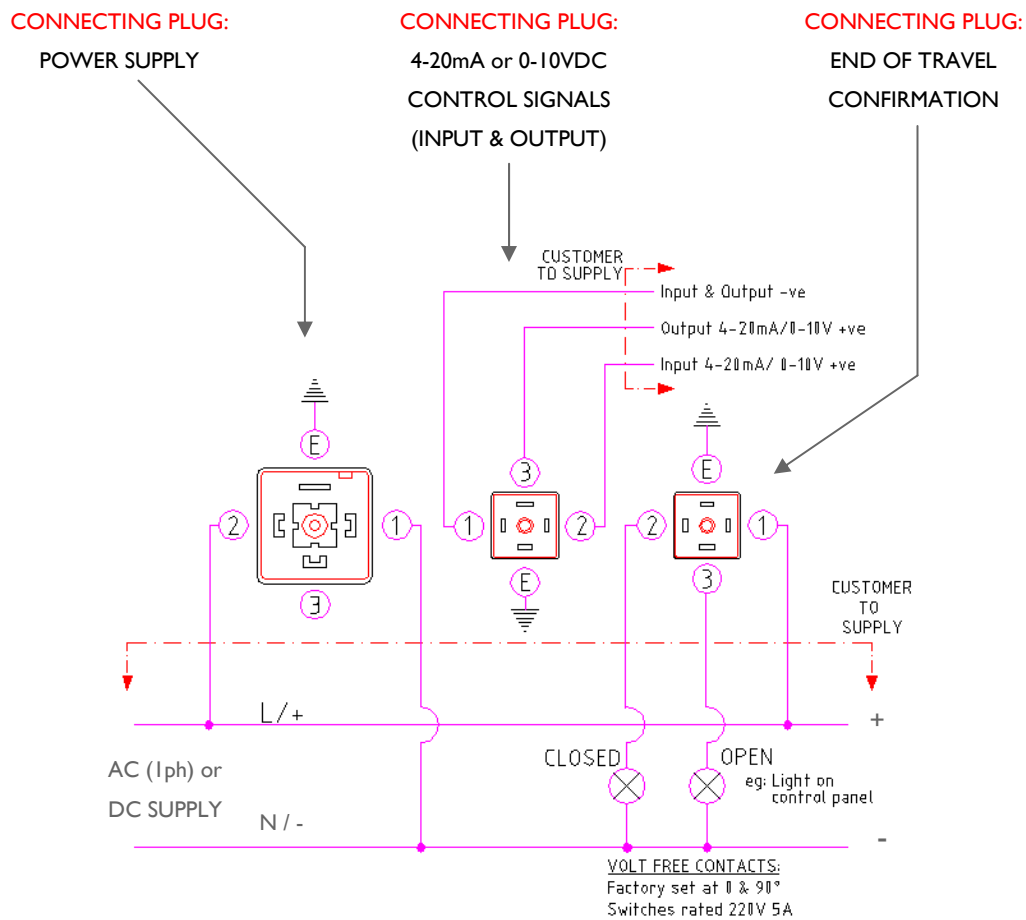
Wiring Diagram - AC or DC



Doc: J3/STD.WD/01

Jan 2008

AC (1ph) OR DC SUPPLY - WIRING FOR MODULATING ACTUATORS



Above wiring showing same supply as motor is only a suggestion.

NB: READ INSTALLATION, OPERATION & MAINTENANCE INSTRUCTIONS BEFORE CONNECTING.

FUNCTION: MODULATING VERSION

Power open, power close - actuator movement controlled by input signal (4-20mA or 0-10VDC)
Standard operation: 4mA or 0V = actuator closed, 20mA or 10V = actuator open (can be reversed)
Standard operation: Actuator closes on loss of control signal, stays put on loss of mains power
Output signal (in same format as supply signal) provided as standard.



Model **J3-2600**

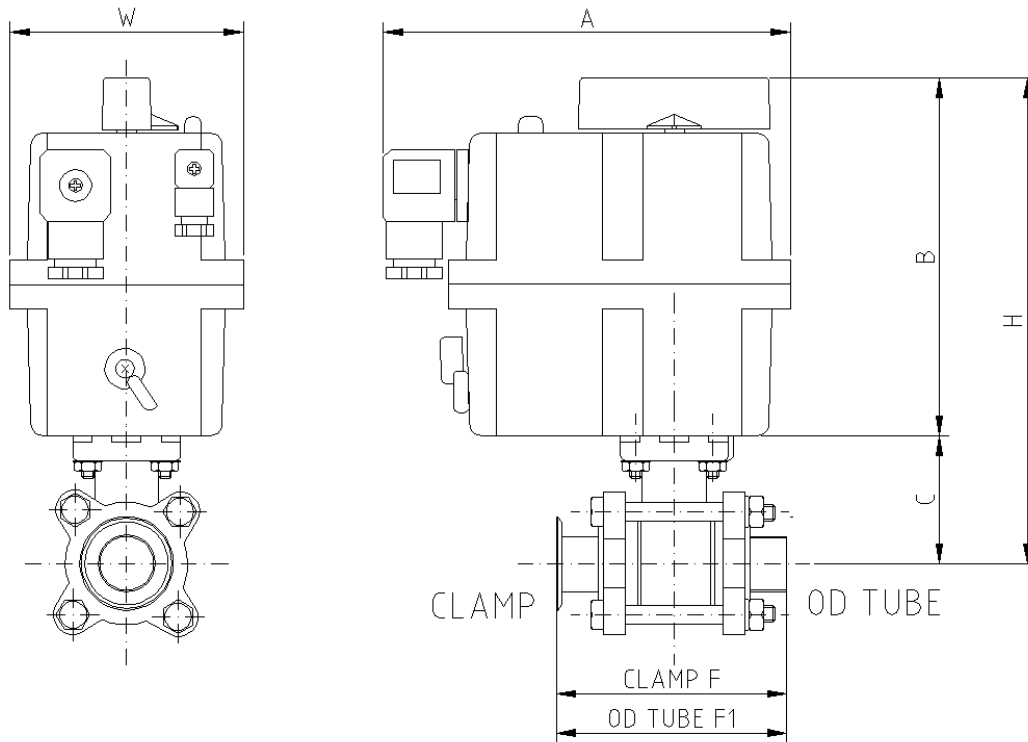
DIMENSIONS



Doc: J3/2600/01

Nov 2007

Electrically operated hygienic stainless ball valve - Dimensions (to nearest mm)



Dimensions remain unchanged for all versions (on-off, failsafe & modulating)

	Model	A	B	C	F	F1	H	W	Kilos
1/2"	20	177	149	42	89	135	191	110	2.2
3/4"	20	177	149	48	101	141	197	110	2.3
1"	20	177	149	57	115	162	206	110	2.8
1 1/4"	20	177	149	61	140	182	210	110	3.4
1 1/2"	35	177	171	78	159	192	249	110	5.0
2"	55	177	196	85	174	248	281	110	6.6



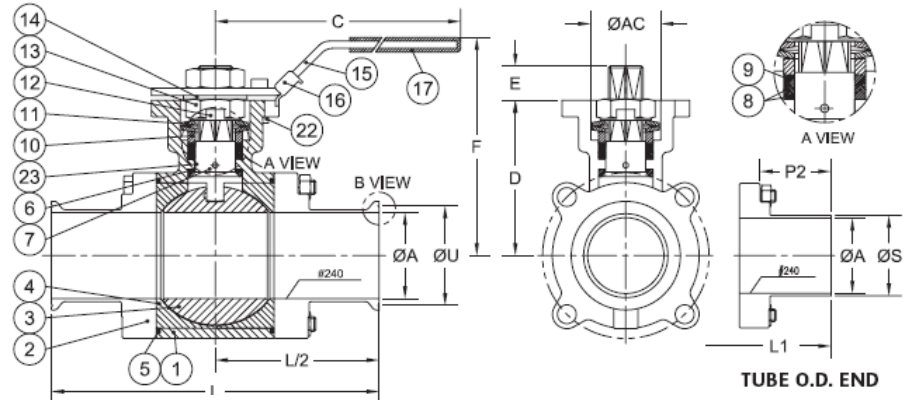
Valve Data Sheet



Doc SBV-M77SN/01

Nov 2007

Hygienic direct mount 3 piece stainless steel ball valve



Specifications:

Construction	3 Pce direct mount ball valve
Size Range (Full)	1/2" to 4" BSP
Pressure Rating	1000 psi max
Valve Body/ Ends Material	ASTM A351 CF3M
Ball Material	SS 316L
Seat Material	Cavity filled PTFE
Seal Material (Options)	PTFE
Inspection & Test	API 598 BS6755 Pt 1
Standards	ANSI B16.34, ANSI 16.25, ANSI B1.20, API 6D ISO5211 DIN 259, DIN 2999, DIN3337. MSS SP25
Certification	EN 10204 3.1b on request
Temperature Range	-20 to +200C

Approvals:

Approved ?



PED/97/23/EC



ATEX 94/9/EC
II 2 GD



API 607 4th Ed'n /
BS6755 Pt 2



TA-Luft



Dimensions:

Size	A	B	C	D	DD1	DD2	E	F	L	L1	P2	S	U	V	Z1	Z2	AC	AD	LBS	ISO5211
1/2"	0.37	0.354	5.47	1.66	1.417	1.654	0.25	3.03	3.51	5.50	1.92	0.50	-	0.99	0.24	0.24	0.92	0.430	1.5	F03/F04
3/4"	0.62	0.354	5.47	1.89	1.417	1.654	0.27	3.27	4.00	5.75	1.96	0.75	-	0.99	0.24	0.24	0.92	0.430	1.8	F03/F04
1"	0.87	0.433	6.50	2.23	1.654	1.969	0.44	3.74	4.51	6.25	2.00	1.00	1.71	1.99	0.24	0.28	1.14	0.563	2.7	F04/F05
1-1/2"	1.37	0.551	8.47	3.05	1.969	2.756	0.56	5.00	5.52	7.50	2.23	1.50	1.71	1.99	0.28	0.34	1.54	0.744	7.0	F05/F07
2"	1.87	0.551	8.47	3.35	1.969	2.756	0.56	5.28	6.26	8.50	2.46	2.00	2.20	2.52	0.28	0.34	1.54	0.744	9.8	F05/F07
2-1/2"	2.37	0.669	11.81	4.28	2.756	4.016	0.67	6.54	6.85	9.75	2.55	2.50	2.78	3.05	0.34	0.47	2.07	0.885	19.6	F07/F10
3"	2.87	0.669	14.57	4.63	2.756	4.016	0.71	6.93	7.61	10.50	2.69	3.00	3.28	3.58	0.34	0.47	2.07	0.885	25.9	F07/F10
4"	3.83	0.669	14.57	5.22	2.756	4.016	0.67	7.48	8.90	12.50	3.14	4.00	4.34	4.68	0.34	0.47	2.07	0.885	47.4	F07/F10