



# Model **J3**-4410



Doc: J3/4410/01

Nov 2007

## Electrically operated 2 way ASA150 stainless ball valve, non fire-safe, with kit

Full bore 2 way 316 stainless steel ball valve, flanged ASA150, designed for automation with integrally cast ISO5211 actuator mounting platform fitted via stainless steel mounting kit with **J3** electric actuator. Supplied assembled and dry bench function tested. Size range from 1/2" to 6".

Type	Function
<b>J3-4413</b>	Standard power to open - power to close - Stays put on mains failure
<b>J3-4414</b>	Failsafe BSR - Battery Spring Return - Fails to safe position using an internal battery
<b>J3-4415</b>	Modulating DPS - Digital Positioning System



### Applications:

Water, oil and many corrosive medias, subject to compatibility with wetted parts in contact with media. Actuators sized on a maximum differential pressure of 10 bar wet service, if the intended duty is above this differential, or dry (air or gas) call to check actuator sizing as a larger output actuator may be required.

Maximum working temperature of assembly is +130C. If the intended duty is a higher temperature than this, contact us for options.

### Valve Specifications:

Body	CF8M Cast 316SS
Ball	CF8M Cast 316SS
Seats	RTFE
Pressure rating	ASA150
Valve temp limits	-20 to +200°C
Actuator temp limits	-20 to + 70°C



### Status light basic functions:

Constantly lit LED	The LED flashes with 2 blinks	The LED flashes on/ off
--------------------	-------------------------------	-------------------------

If the actuator is operating correctly with no faults, the LED shows a constantly lit light.

If the actuator has been left in 'manual' mode, the actuator's motor runs but doesn't drive the output shaft. After a pre-set time, the actuator knows that as the torque limiter has not activated and that the motor is running, it must be in manual.

When the actuator senses an impending valve jam, the electronic torque limiter is activated and on activation, repeatedly flashes the LED on and off.



### Quick guide to the **J3** electric actuator standard features :

*Highly visible LED light gives continuous actuator status indication.*

**J3** L - 12-24V AC/DC

**J3** H - 80-240V AC/DC

*Multi-voltage capable with auto-voltage sensing:*

*Torque output: range:  
25-95Nm Break  
20-80Nm Reseat*

*Electronic torque limiter  
Protects against valve jams*

*Anti-condensation heater*

*Manual override*

*All connections via external DIN plugs ~ no need to remove cover to connect*

*Volt free end of travel confirmation switches*

*IP65 weatherproof housing*

*CE marked*

*Traceable sequential serial numbering system*

*Optional failsafe kit (Battery Back-up) - actuator fails to safe position on power failure*

*Optional modulating kit with digital positioning system, either 0-10V or 4-20mA*



# Model **J3**-4410

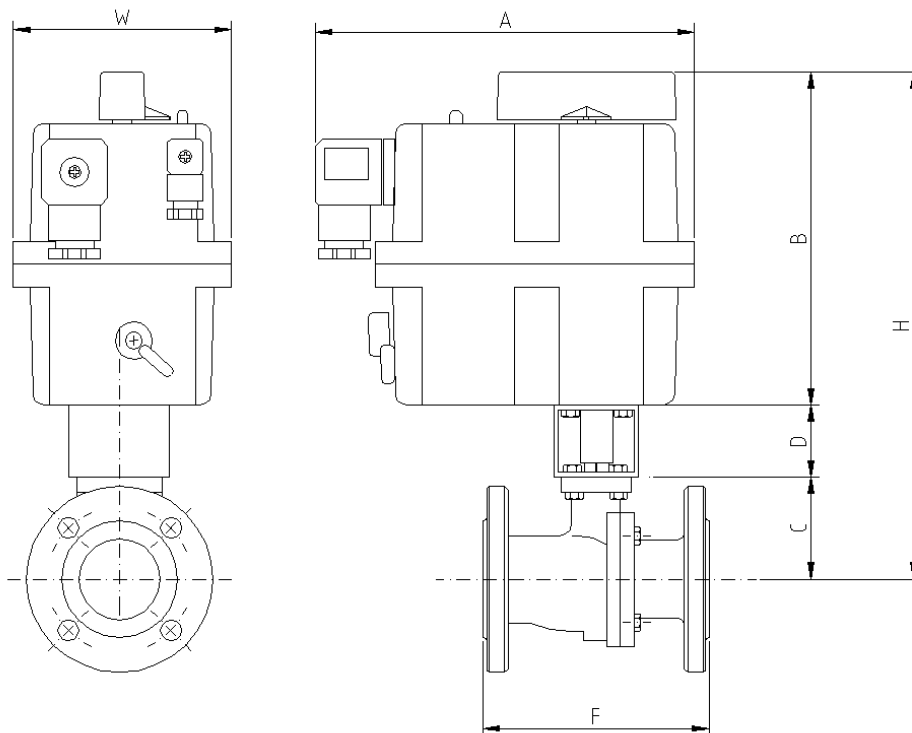
## DIMENSIONS



Doc: J3/4410/01

Nov 2007

Electrically operated ASA150 stainless non-firesafe ball valve with kit  
 - Dimensions (to nearest mm)



Dimensions remain unchanged for all versions (on-off, failsafe & modulating)									
	Model	A	B	C	D	F	H	W	Kilos
1/2"	20	177	149	48	50	108	207	110	3.5
3/4"	20	177	149	53	50	117	252	110	3.9
1"	20	177	149	59	50	127	258	110	4.6
1 1/4"	20	177	149	71	50	140	270	110	8.1
1 1/2"	55	177	196	76	50	165	322	110	8.6
2"	55	177	196	85	50	178	331	110	11.4
2 1/2"	85	177	196	94	50	190	340	128	16.5
3"	<b>J2</b> -140	235	254	103	70	203	427	214	25.7
4"	<b>J2</b> -140	235	254	132	70	229	456	214	37.2



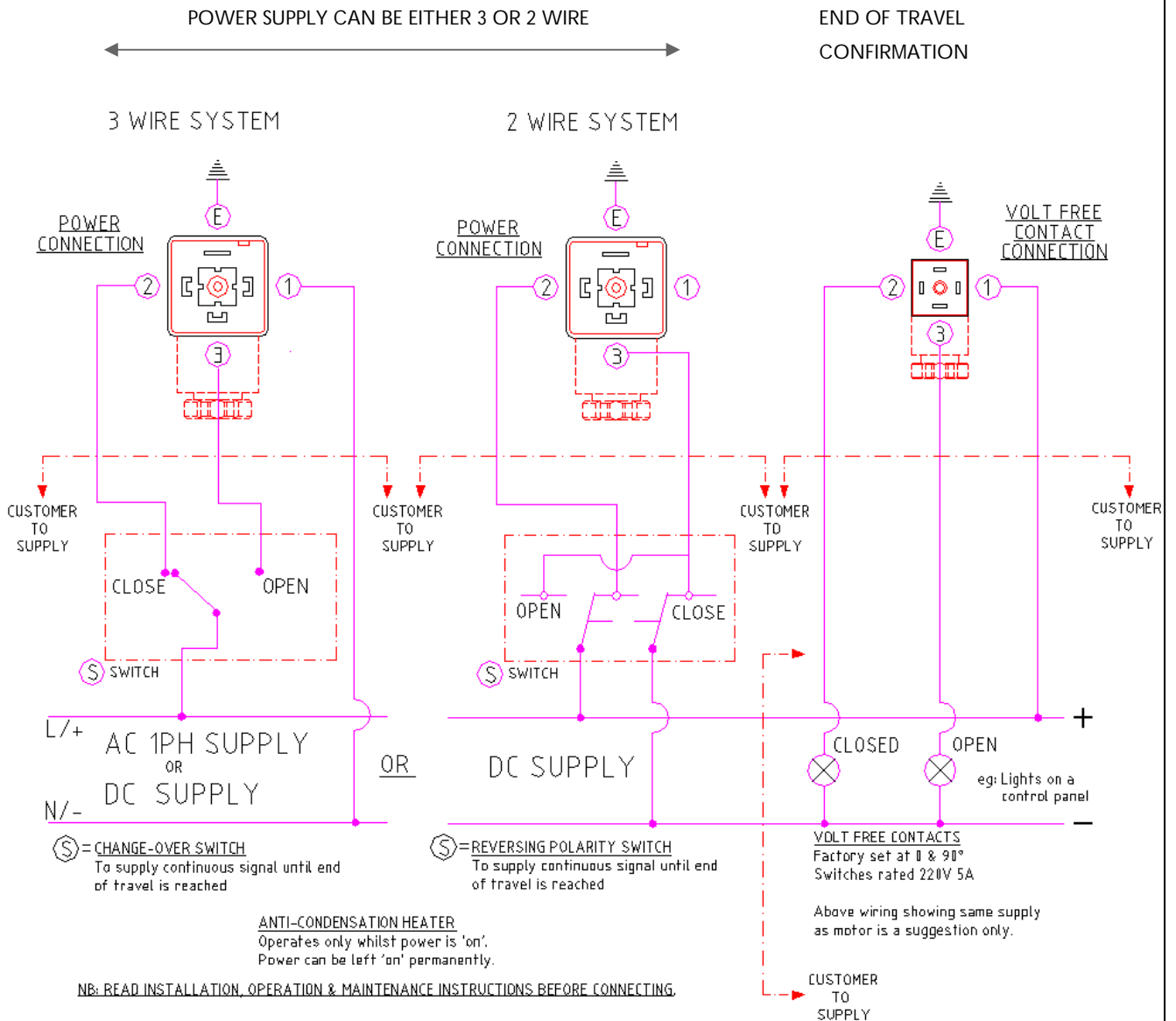
# Model J3 Wiring Diagram - AC or DC



Doc: J3/STD.WD/01

Jan 2008

## AC (1ph) OR DC SUPPLY - WIRING FOR ON-OFF OR FAILSAFE ACTUATORS



### FUNCTION: ON-OFF VERSION

Power open, power close  
Stays put on mains power failure

### FUNCTION: FAILSAFE VERSION

Power open, power close - trickle charges battery system in either open or closed position  
Actuator sent by battery power to pre-set failsafe position on power failure  
Actuator returns to pre-failure position on power resumption.  
Failsafe can be either NC (normally closed) or NO (normally open)



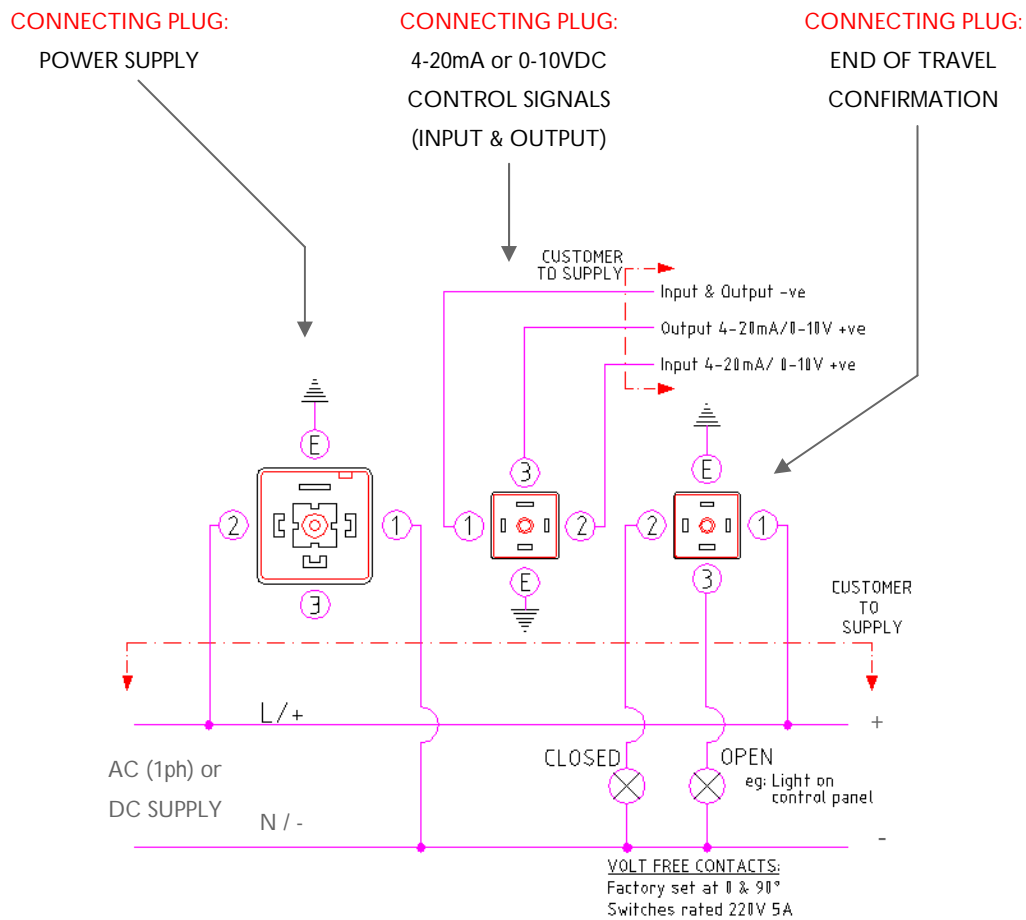
# Model **J3** Wiring Diagram - AC or DC



Doc: J3/STD.WD/01

Jan 2008

## AC (1ph) OR DC SUPPLY - WIRING FOR MODULATING ACTUATORS



Above wiring showing same supply as motor is only a suggestion.

NB: READ INSTALLATION, OPERATION & MAINTENANCE INSTRUCTIONS BEFORE CONNECTING.

### FUNCTION: MODULATING VERSION

Power open, power close - actuator movement controlled by input signal (4-20mA or 0-10VDC)  
Standard operation: 4mA or 0V = actuator closed, 20mA or 10V = actuator open (can be reversed)  
Standard operation: Actuator closes on loss of control signal, stays put on loss of mains power  
Output signal (in same format as supply signal) provided as standard.

