

J3

Model J3-4415



Doc: J3/4415/01

March 2007

2 way stainless ASA150 ball valve with modulating electric actuator

Full bore 2 way 316 stainless steel ball valve, flanged ASA150, designed for automation with integrally cast ISO5211 actuator mounting platform fitted via stainless steel mounting kit with **J3** on/ off modulating electric actuator. Supplied assembled and dry bench function tested. Size range from 1/2" to 6".

Type **J3**-4415 Modulating DPS - Digital Positioning System

Options:

Type **J3**-4413 Standard power to open - power to close

Type **J3**-4414 Failsafe BSR - Battery Spring Return



Applications:

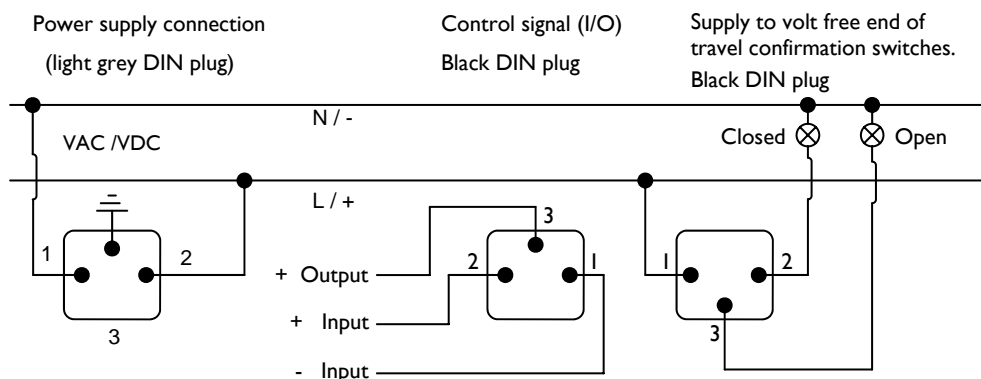
Water, oil and many corrosive medias, subject to compatibility with wetted parts in contact with media. Actuators sized on a maximum differential pressure of 10 bar wet service, if the intended duty is above this differential, or dry (air or gas) call to check actuator sizing as a larger output actuator may be required.

Maximum working temperature of assembly is +130C. If the intended duty is a higher temperature than this, contact us for options.

Valve Specifications:

Body	CF8M Cast 316SS
Ball	CF8M Cast 316SS
Seats	RTFE
Pressure rating	ASA150
Valve temp limits	-20 to +200°C
Actuator temp limits	-20 to + 70°C

Wiring Diagram (AC or DC): 3 wire



Quick guide to the **J3** electric actuator standard features :

Highly visible LED light gives continuous actuator status indication.

J3 L - 12-24V AC/DC

J3 H - 80-240V AC/DC

Multi-voltage capable with auto-voltage sensing:

Torque output: range:
25~95Nm Break
20~80Nm Reseat

Electronic torque limiter
Protects against valve jams

Anti-condensation heater

Manual override

All connections via external DIN plugs ~ no need to remove cover to connect

Volt free end of travel confirmation switches

IP65 weatherproof housing

CE marked

Traceable sequential serial numbering system

Optional failsafe kit (Battery Back-up) - actuator fails to safe position on power failure