



Model HQ-3743



Doc: HQ/3743/01
Nov 2009

IP67 Electrically operated full bore PVC ball valve

Full bore PVC double union ball valve with PTFE seats and EPDM seals (Viton/ FPM option), fitted via stainless steel mounting kit with HQ-04 electric actuator. Supplied assembled and dry bench function tested. Ends imperial or metric solvent sockets.

UK WRAS approved for use on potable water.

Size range 1/2" to 4"

Type	Power supply & function
HQ-3743-240	220/1ph/50Hz (or 60Hz) On-off
HQ-3743-110	110/1ph/50Hz (or 60Hz) On-off
HQ-3743-24AC	24/1ph/50Hz (or 60Hz) On-off
HQ-3743-24VDC	24VDC On-off

For failsafe or modulating applications see the Type: J3-3740

Applications:

PVC is odourless and tasteless and is used in many applications such as potable water and many food processing. PVC has good chemical resistance and resists most solutions of acids, alkalis and salts, and solvents that can be diluted with water acids. It is not resistant to aromatic and chlorinated carbons.

Actuators sized on a maximum differential pressure of 10 bar wet service, if the intended duty is above this differential, or dry (air or gas) call to check actuator sizing as a larger output actuator may be required.

Valve Specifications:

Body	PVC
Ball	PVC
Seats	PTFE with EPDM seals
Pressure rating	UTI 2" 16 Bar, rest 10 Bar (at 20°C)
Valve temp limits	0 to +60°C
Actuator temp limits	-20 to + 70°C



Quick guide to the HQ-04 electric actuator standard features :

IP67 Weatherproof housing.
(Can be submerged for a maximum of 30 minutes under a maximum of 1m of water.)

Torque output Max 40Nm

Available supply voltages:
220V AC / 1ph
110V AC / 1ph
24V AC / 1ph
24V DC

Anti-condensation heater

Manual override facility

2 End of travel SPDT switches

2 x M20 Conduit cable entries

Terminal strip inside

-20 to +70C Ambient temperature range

Duty cycle S2 = 35%

Working time 14 secs (50 Hz)

Weight 3kgs

Dry powder polyester coated aluminium housing.

Serial numbered





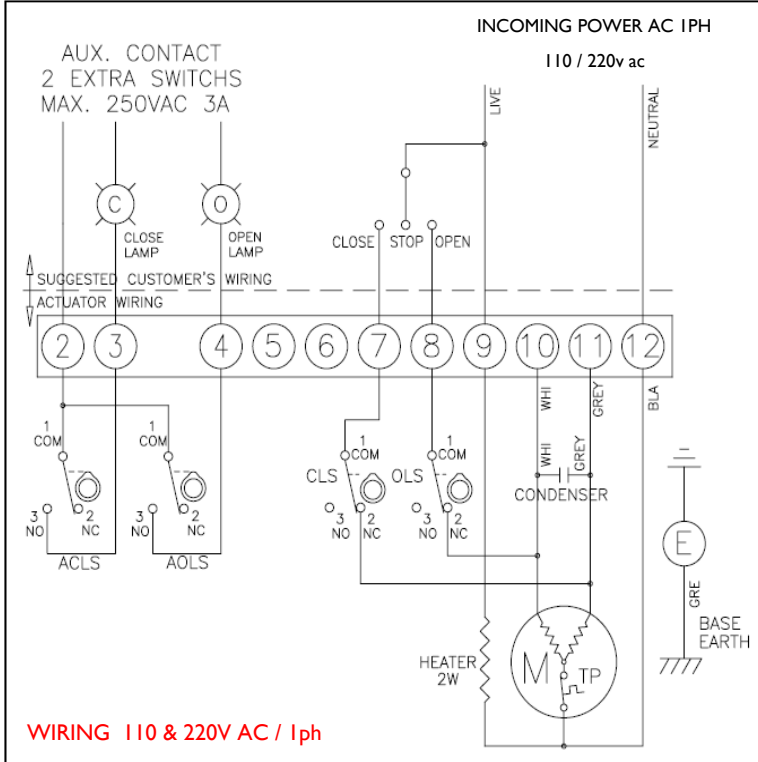
Model HQ-3743

WIRING DIAGRAMS



Doc: HQ/3743/01

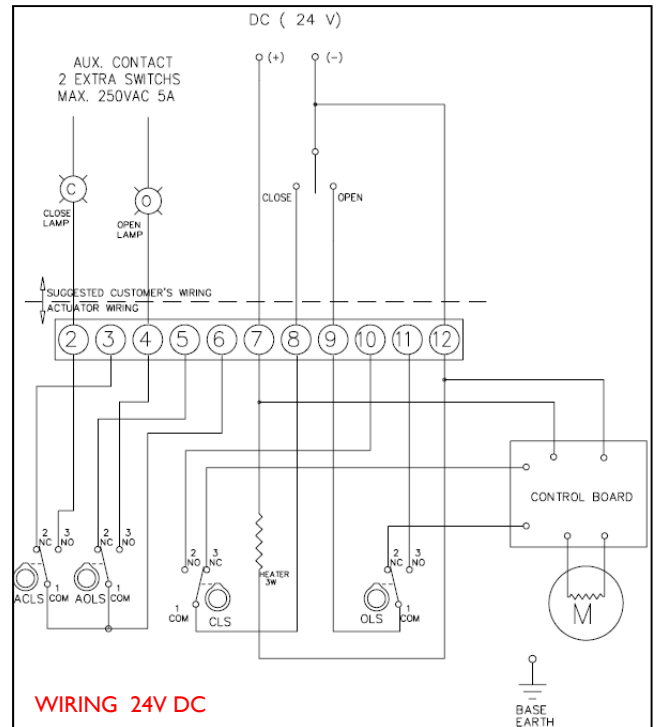
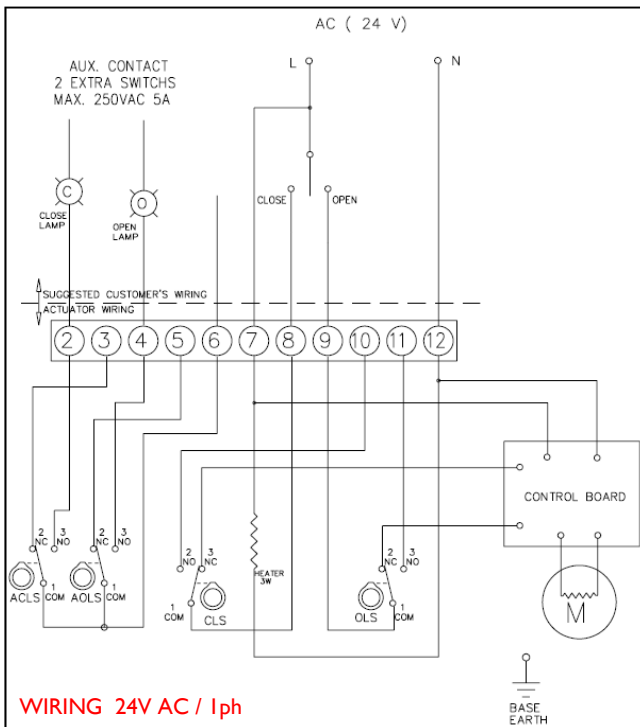
Nov 2009



SYMBOL	DESCRIPTION	RATING
CLS	CLOSE MOTOR STOP SWITCH	250VAC 5A
OLS	OPEN MOTOR STOP SWITCH	250VAC 5A
ACLS	AUX CLOSE LIMIT SWITCH	250VAC 5A
AOLS	AUX OPEN LIMIT SWITCH	250VAC 5A
TP	THERMAL PROTECTOR	250VAC 15A

IMPORTANT NOTE:

Each actuator should be powered through its own individual switch or relay contacts to prevent cross feed between two or more actuators





Model J3-3743

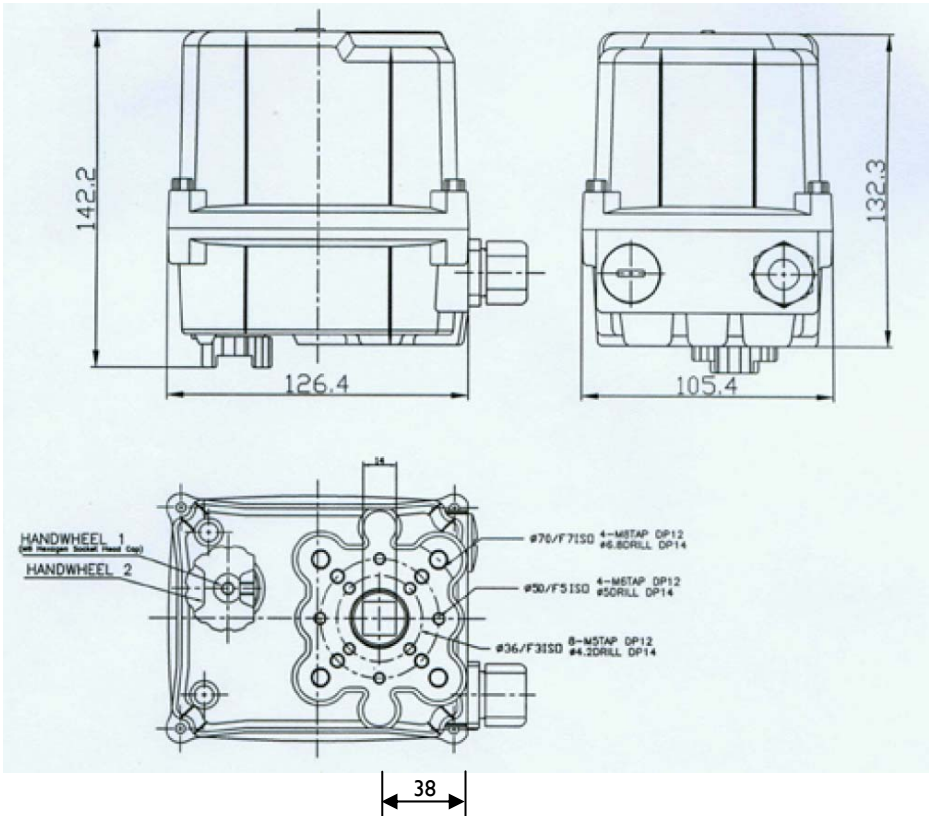
DIMENSIONS



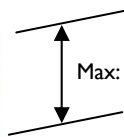
Doc: HQ/3743/01

Nov 2009

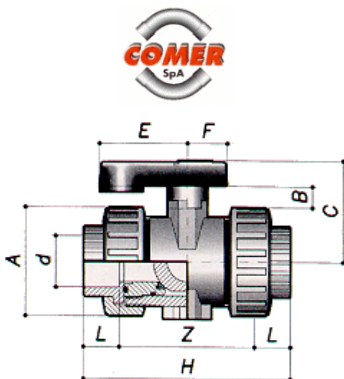
Electrically operated PVC ball valve with kit - Dimensions (mm)



Standard mounting kit dimensions



Max: 50mm UTI 2 1/2", 3" & 4" are 60mm



Pipe OD (d) Metric	Pipe OD (d) Imperial	A	B	C	E	F	H	L	Z	PVC Kg	ABS Kg
20	1/2"	50	10	48	39	19	102	16	70	0.170	0.135
25	3/4"	60	11	54	47	22	120	19	82	0.265	0.212
32	1"	68	13	62	55	25	128	22	84	0.370	0.301
40	1 1/4"	80	18	75	60	30	147	26	95	0.545	0.436
50	1 1/2"	96	20	87	68	35	163	31	101	0.885	0.708
63	2"	116	20	101	80	40	197	38	121	1.440	1.152
75	2 1/2"	145	25	123	90	45	214	44	126	2.300	1.840
90	3"	166	28	138	100	50	241	51	139	3.655	2.924
110	4"	210	28	160	120	60	281	61	159	6.000	4.800