

J2

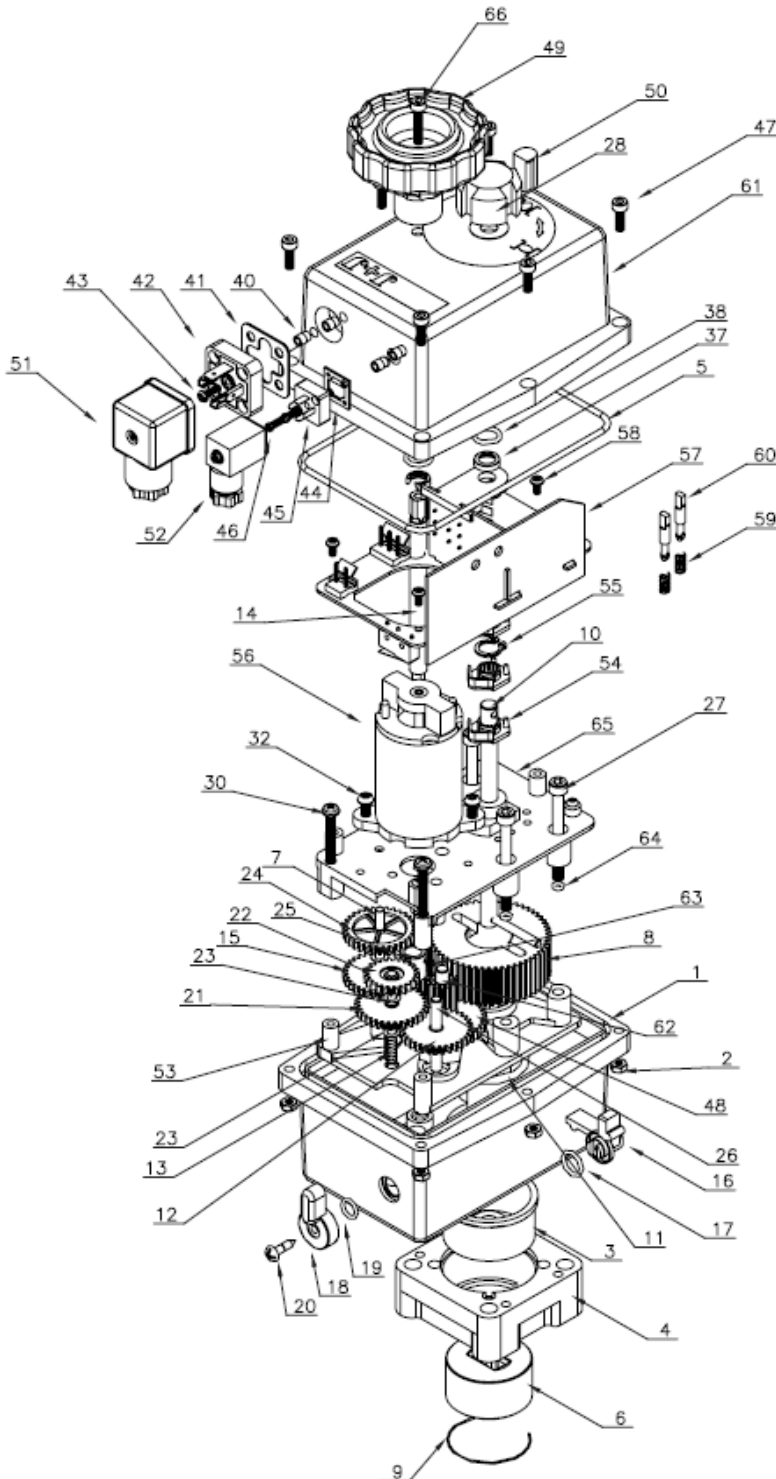
Exploded View J2-55



Doc: J2-55.EV/01

March 2007

Model J2 55



ITEM	QTY	DESCRIPTION
1	1	BODY J2 055
2	6	NUT
3	1	PLASTIC BUSHING FLANGE
4	1	OUTPUT FLANGE J2 55
5	1	O-RING
6	1	FEMALE OUTPUT J255
7	2	PIN 2
8	1	OUTPUT GEAR
9	1	OUTPUT RETAINING CLIP J2 55
10	1	OUTPUT SHAFT
11	1	O-RING
12	1	GEAR 7
13	1	DISENGAGEMENT SPRING
14	1	HAND WHEEL SHAFT
15	1	GEAR 1
16	1	INTERNAL DISENGAGEMENT J2 55
17	1	O-RING 2
18	1	EXTERNAL DISENGAGEMENT LEVER J2 55
19	1	O-RING 3
20	1	DISENGAGEMENT SCREW
21	1	GEAR 2
22	1	GEAR 9
23	4	WASHER 1
24	1	GEAR 8
25	1	HAND WHEEL GEAR
26	1	PIN 5
27	4	FLANGE SCREW
28	1	INDICATOR CAM
30	2	PLATE SCREW
32	2	MOTOR SCREW
37	2	BUSHING 3
38	2	O-RING 4
40	4	INSERT
41	1	JOINT BASE BIG CONNECTOR
42	1	BASE BIG CONNECTOR
43	1	BINDING SCREW BIG CONNECTOR
44	2	JOINT BASE SMALL CONNECTOR
45	1	BASE SMALL CONNECTOR
46	1	BINDING SCREW SMALL CONNECTOR
47	6	COVER SCREW
48	1	GEAR 10
49	1	HAND WHEEL J2 55
50	1	YELLOW POSITION INDICATOR
51	1	BIG CONNECTOR
52	1	SMALL CONNECTOR
53	1	INFERIOR BASE PLATE J2-55
54	4	CAM
55	4	SEEGER CIRCLIP 1
56	1	ELECTRIC MOTOR J2 55
57	1	PRINT CIRCUIT BOARD
58	3	PCB SCREW
59	2	FASTENING SPRING
60	2	FASTENER
61	1	TOP COVER J2 55
62	1	PIN 6
63	2	STUD 1
64	4	O-RING 5
65	1	TOP PLATE J2 55
66	1	HAND WHEEL SCREW